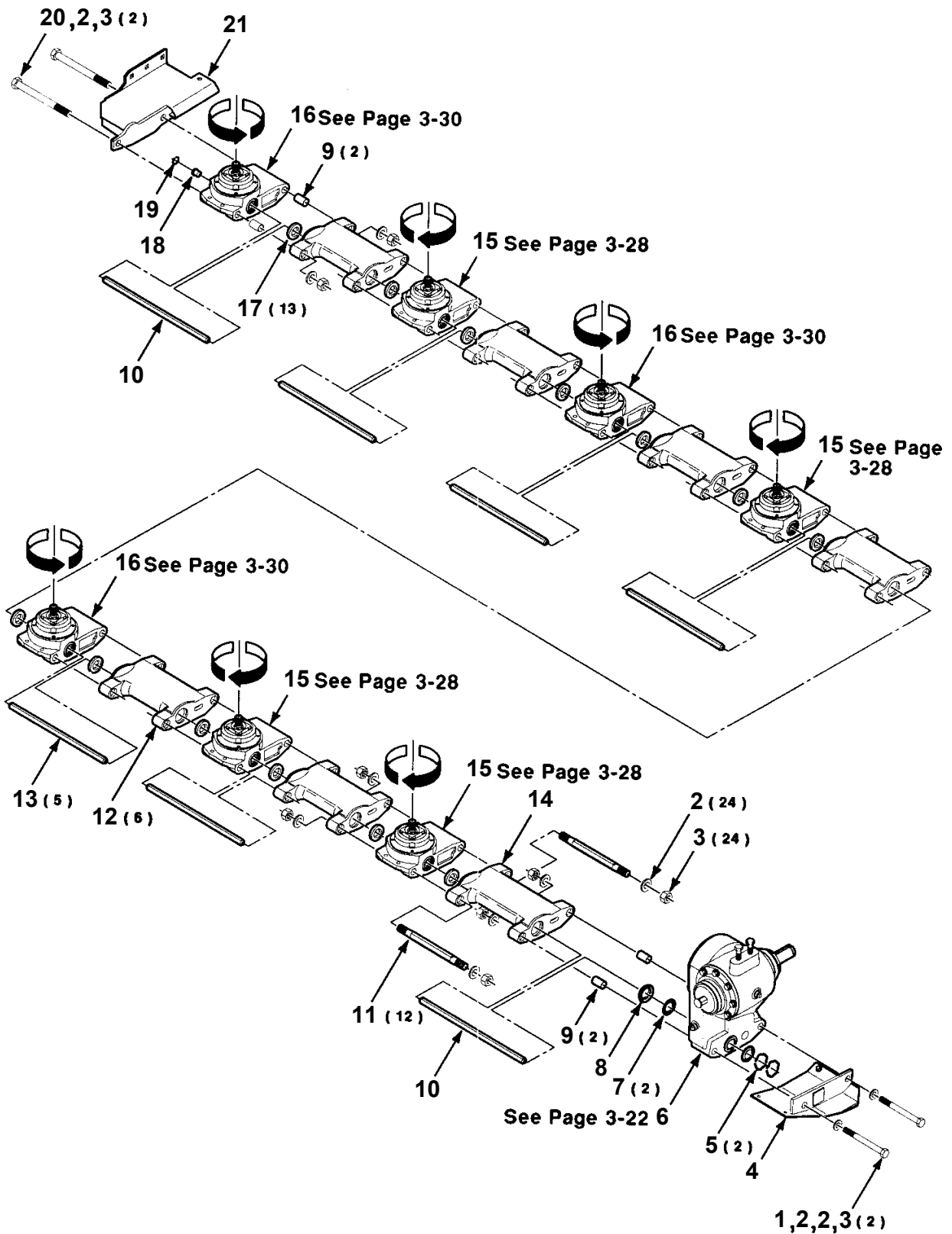


CUTTER BAR ASSEMBLY (5409)



New Idea**5406 / 5407 / 5408 / 5409 / 5410 DISC MOWER**

00721004

CUTTER ASSEMBLIES - CUTTER BAR ASSEMBLY (5409)

Page3-18

Item	Part Number	Qty	Description
1	526887	2	3/4-16 X 6 C GR 8
2	526888	30	3/4 WASHER-SPECIAL
3	17554	28	3/4-16 HTLN GR C
4	526969	1	DIVIDER WA-LEFT
5	526975	2	WASHER-WAVE, SPRING
6	700158063	1	GEARBOX ASSEMBLY
7	526230	2	SHIELD-BEARING
8	526920	1	RING-CENTERING
9	526498	4	SPACER
10	529182	2	SHAFT-HEX, 16.315"
11	526443B	12	BOLT-SPECIAL
12	526440B	6	SPACER
13	529181	5	SHAFT-HEX, 14.940"
14	526441	1	SPACER-LONG
15	527091	4	ROTOR ASSEMBLY-CLOCKWISE
16	527090	3	ROTOR ASSEMBLY-COUNTERCLOCKWISE
17	526909	13	RING-CENTERING
18	526984	1	PLUG
19	355966X1	1	SNAP RING-INTERNAL
20	526917	2	3/4-16 X 8 C GR/8
21	527361B	1	EXTENSION WA